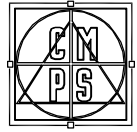


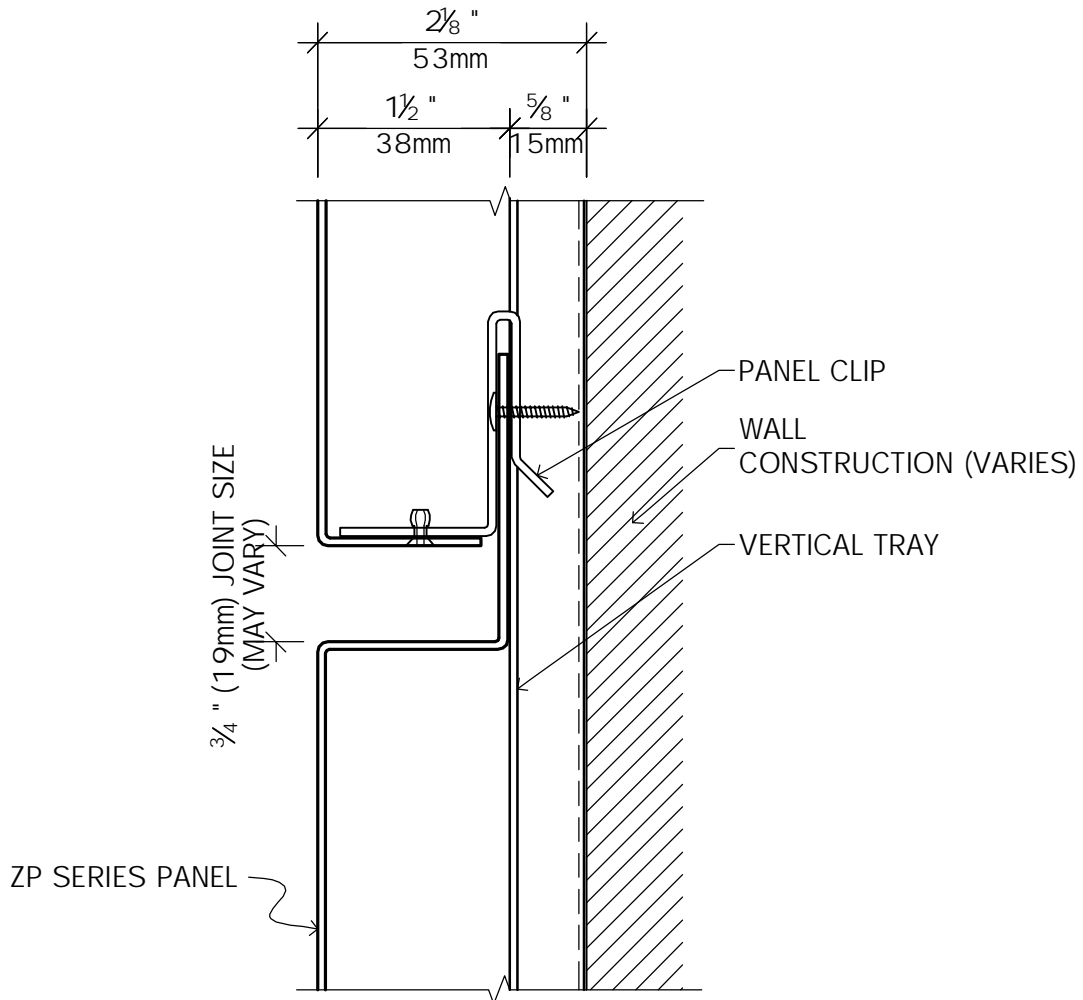


**CUSTOM METAL CONTRACTING LTD.**

49, 5342-72nd Ave S.E., Calgary, Alberta T2C 4X5  
 Telephone: (403) 291-9767 Fax: (403) 291-9416



CUSTOM METAL  
 PANEL SYSTEM



HORIZONTAL JOINT DETAIL

CMPS – ZP SERIES PANEL

DATE: 04/04/29

DRY JOINT ZINC SYSTEM

ZP-01