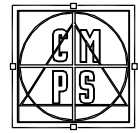


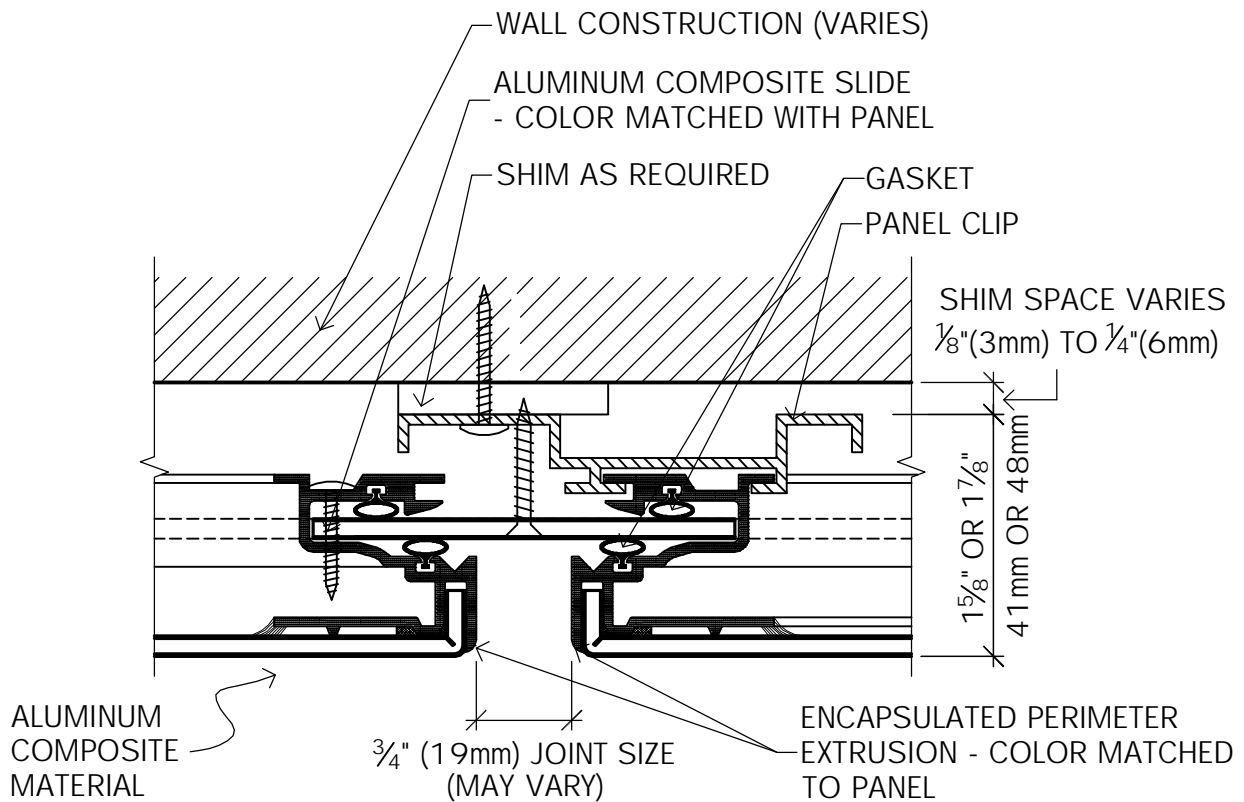


CUSTOM METAL CONTRACTING LTD.

49, 5342-72nd Ave S.E., Calgary, Alberta T2C 4X5
Telephone: (403) 291-9767 Fax: (403) 291-9416



CUSTOM METAL
PANEL SYSTEM



VERTICAL JOINT DETAIL

CMPS-CP SERIES 50 - COMPOSITE PANEL

DATE: 04/04/29

GASKETED SEALED SYSTEM -ENCAPSULATED PERIMETER

CP50-02