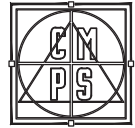


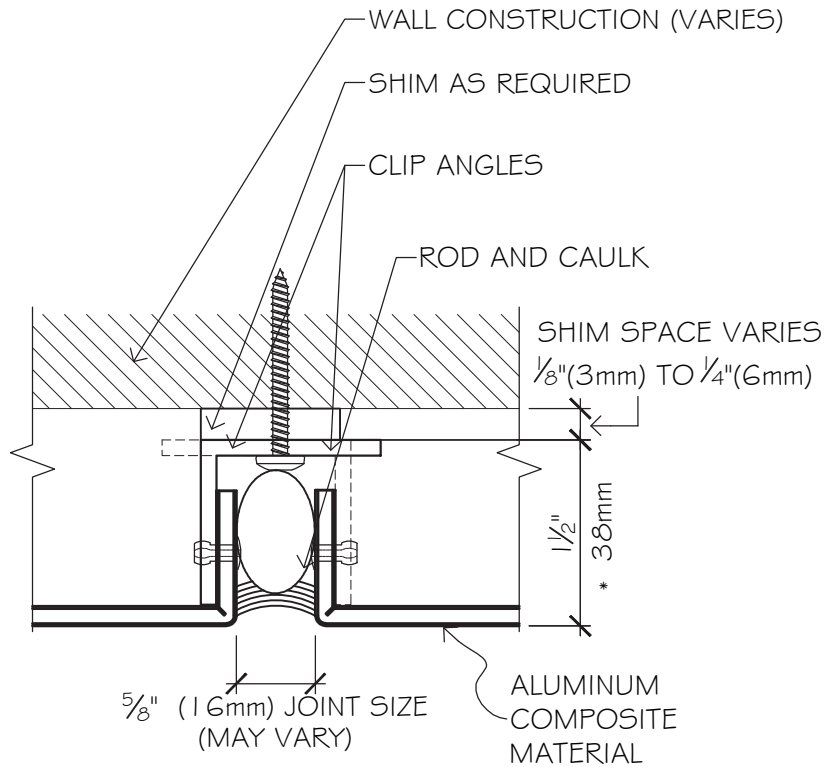


CUSTOM METAL CONTRACTING LTD.

49, 5342-72nd Ave S.E., Calgary, Alberta T2C 4X5
 Telephone: (403) 291-9767 Fax: (403) 291-9416



CUSTOM METAL
 PANEL SYSTEM



VERTICAL JOINT DETAIL

* MINIMUM

CMPS-CP SERIES 5 - COMPOSITE PANEL

DATE: 24/05/2010

CAULKED JOINT SYSTEM

CP5-02