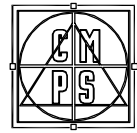


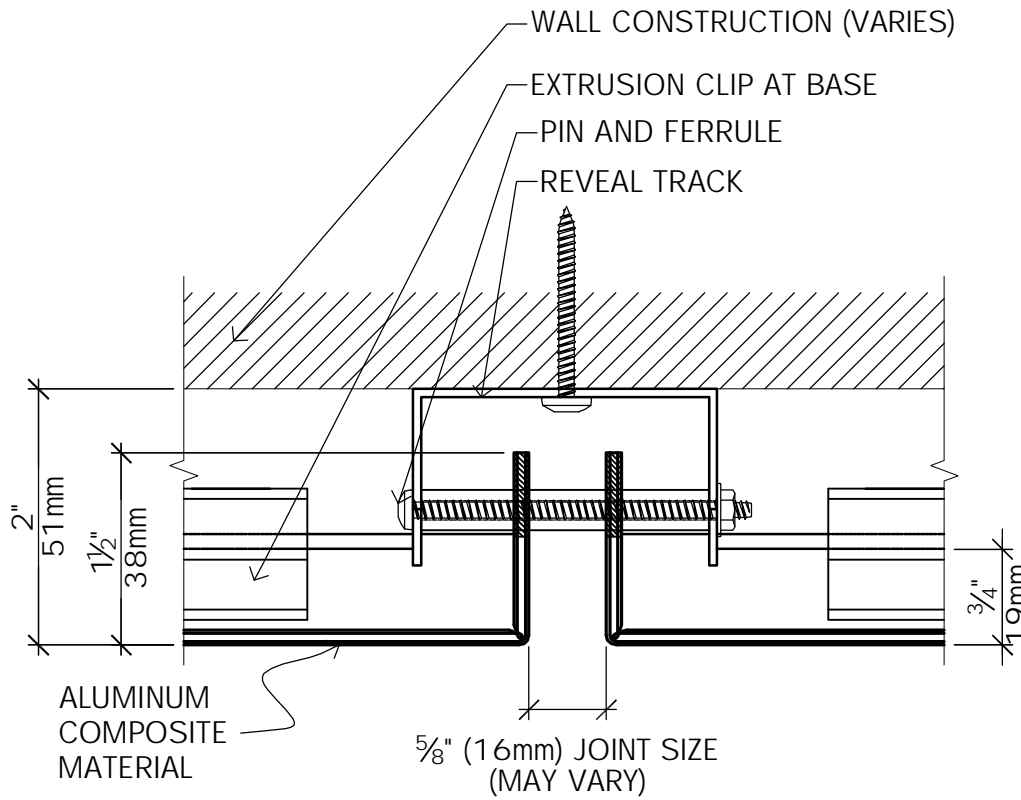


CUSTOM METAL CONTRACTING LTD.

49, 5342-72nd Ave S.E., Calgary, Alberta T2C 4X5
Telephone: (403) 291-9767 Fax: (403) 291-9416



CUSTOM METAL
PANEL SYSTEM



VERTICAL JOINT DETAIL

R:\CMC WEB\Rev-5 August 23, 2005\SERIES 30.dwg Date: 12/8/2009 9:12:15 AM

CMPS-CP SERIES 30 - COMPOSITE PANEL

DATE: 04/04/29

OPEN JOINT RAINSCREEN SYSTEM

CP30-02